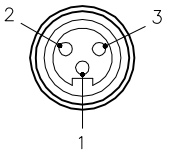
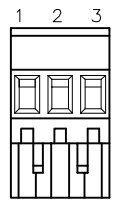
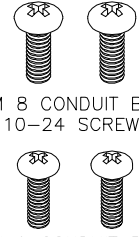
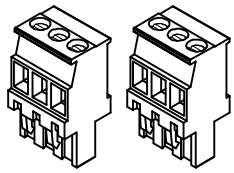
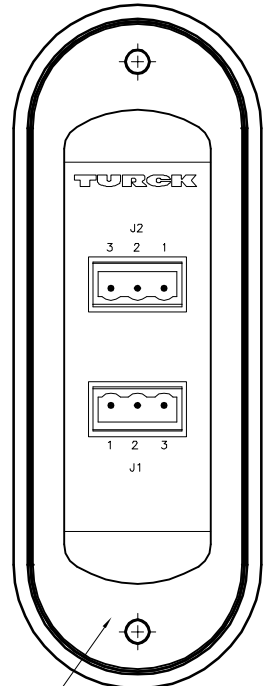
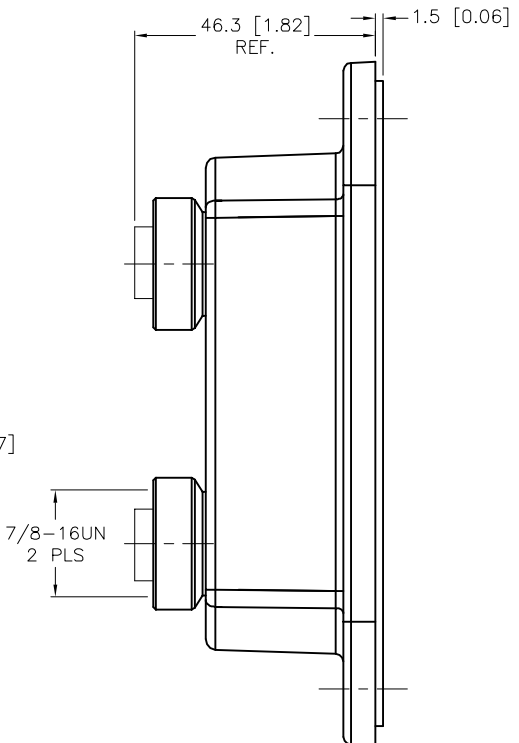
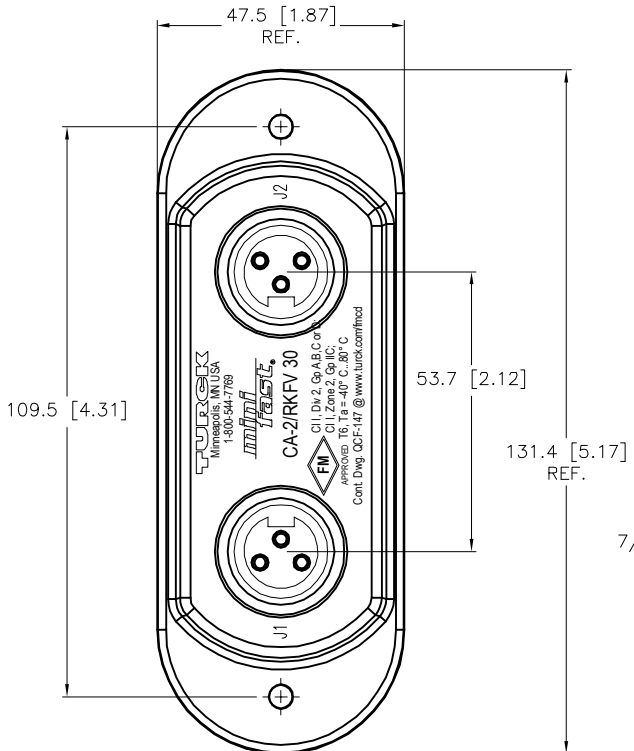
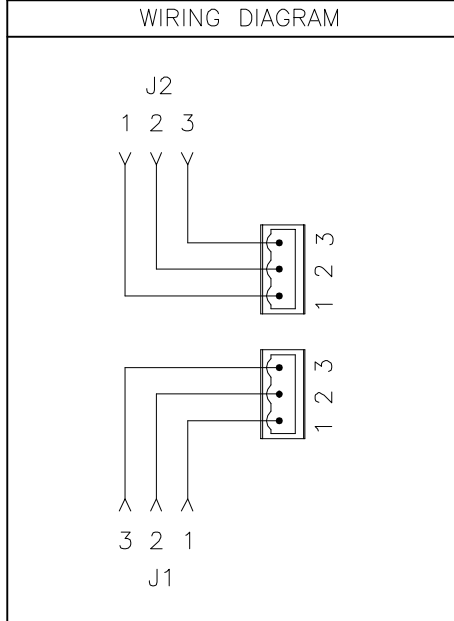


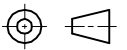

J1, J2 CONNECTORS	TERMINAL BLOCK PLUGS	COVER SCREWS INCLUDED	TERMINAL PLUGS INCLUDED	SPECIFICATIONS	
		 <p>FORM 8 CONDUIT BODIES: 10-24 SCREWS</p> <p>MARK 9 CONDUIT BODIES: 8-32 SCREWS</p>		HOUSING MATERIAL/COLOR	NYLON 66 - 33% GLASS FILLED/BLACK
				RECEPTACLE HOUSING MATERIAL/FINISH	STAINLESS STEEL/PASSIVATED
				CONTACT CARRIERS/COLOR	TPU/BLACK
				CONTACT MATERIAL/PLATING	BRASS/GOLD
				OPERATING VOLTAGE	250 V
				OPERATING CURRENT	9.0 A PER CONDUCTOR
				PROTECTION CLASS to DIN 40050	IP 67 - ONLY WHEN ALL RECEPTACLES ARE COVERED WITH PLUGS OR CONNECTED
				OPERATING TEMPERATURE	-40°C to +70°C (-40°F to +158°F)



SEALING GASKET



SOURCE DRAWING - FOR REFERENCE ONLY

RELATED DOCUMENTS 1. 2. 3. 4.	3RD ANGLE PROJECTION 	THIS DRAWING IS CONFIDENTIAL AND THE PROPERTY OF TURCK INC. USE OF THIS DOCUMENT WITHOUT WRITTEN PERMISSION IS PROHIBITED.			3000 CAMPUS DRIVE MINNEAPOLIS, MN 55441 1-800-544-7769 (763) 553-7300 (763) 553-0708 fax www.turck.us			
		DRFT	JB		DATE	09/16/03	DESCRIPTION CA-2/RKFV 30	
		APVD	DD		SCALE	1=1.5		
		MATERIAL SEE SPECIFICATIONS			UNIT OF MEASUREMENT MILLIMETER [INCH]		IDENTIFICATION NO. U0941-24	
FINISH SEE SPECIFICATIONS		CONTACT TURCK FOR MORE INFORMATION		REV F				
F UPDATED CLICHE		AS 10/21/25 81451		FILE: U0941-24				
REV DESCRIPTION		BY DATE ECO NO.		SHEET 1 OF 1				